

| GATE OPENINGS   | FROM:                       | TO:                          |
|-----------------|-----------------------------|------------------------------|
| UP TO 6FT. HIGH | 49 $\frac{1}{4}$ " [1251mm] | 115 $\frac{3}{4}$ " [2940mm] |
| 7FT. AND HIGHER | 49 $\frac{1}{4}$ " [1251mm] | 77 $\frac{3}{4}$ " [1975mm]  |

NOTE: CUSTOM SIZES AVAILABLE UPON REQUEST

**SPECIFICATIONS:**

**POSTS RAILS: & PICKETS** EXTRUDED MARINE ALUMINUM 6061-T6  
PRIME ALUMINUM, NORTH AMERICAN PRODUCED

**FINISH:** SEVEN STAGE ARCHITECTURALLY CERTIFIED  
PRETREATMENT AS PER AAMA 2604.  
SUPER DURABLE ELECTROSTATICALLY APPLIED  
POWDER COAT - MIN THICKNESS 2.5 MILS

**POSTS:** 76mm x 76mm (3"x3") .188 WALL  
OPTION: 102mm x 102mm (4"x4") .188 WALL

**POST CAPS:** PYRAMID OR BALL

**UPRIGHTS:** 51mm x 51mm (2" x 2") .188 WALL

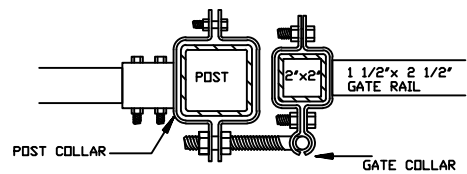
**RAILS:** 38mm x 64mm (1 $\frac{1}{2}$ " x 2 $\frac{1}{2}$ ") .120 WALL

**PICKETS:** 25mm x 25mm (1" x 1") .065 WALL  
SPEAR (SP-9Z), FLEUR DE LIS (SP-7Z)  
ARROW, FLAT, OR SECURITY TOP  
(USE SPEAR SP-9Z UNLESS OTHERWISE NOTED)

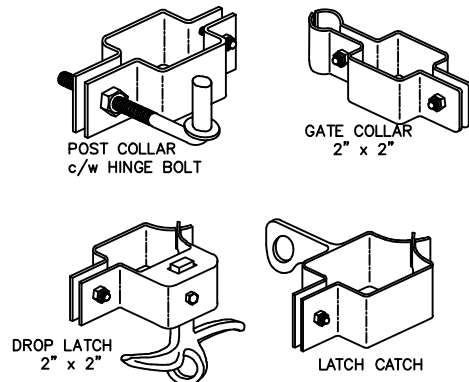
**WELDS:** ALUMINUM - FULL BEAD ON PUBLIC SIDE  
- TACK WELD ON PRIVATE SIDE

**COLOURS:** STANDARD COLOURS ARE BLACK, SEMI-BLACK,  
BROWN, GREEN, WHITE AND FOREST GREEN.  
(CUSTOM COLOURS AVAILABLE UPON REQUEST)

**SECTION A-A**



**FITTINGS**



COMMENTS: SINGLE SWING GATE



|       |                                                                |             |                    |
|-------|----------------------------------------------------------------|-------------|--------------------|
| TITLE | <b>IRON EAGLE III<br/>MAJESTIC EAGLE III SINGLE SWING GATE</b> | DRAWING No. | <b>M3-AS1</b>      |
|       |                                                                | CHK'D       | DATE: JAN 12, 2019 |