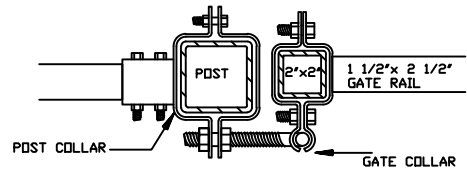


GATE OPENINGS	FROM:	TO:
UP TO 6FT. HIGH	42 <sup>3</sup> / <sub>4</sub> " [1086mm]	116 <sup>1</sup> / <sub>4</sub> " [2953mm]
7FT. AND HIGHER	42 <sup>3</sup> / <sub>4</sub> " [1086mm]	74 <sup>1</sup> / <sub>4</sub> " [1886mm]

NOTE: CUSTOM SIZES AVAILABLE UPON REQUEST

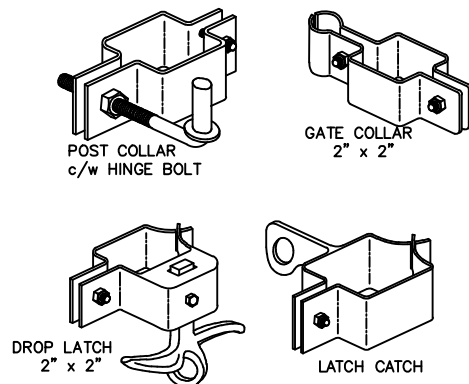
SECTION A-A



SPECIFICATIONS:

- POSTS RAILS & PICKETS:** EXTRUDED MARINE ALUMINUM 6061-T6 PRIME ALUMINUM, NORTH AMERICAN PRODUCED
- FINISH:** SEVEN STAGE ARCHITECTURALLY CERTIFIED PRETREATMENT AS PER AAMA 2604. SUPER DURABLE ELECTROSTATICALLY APPLIED POWDER COAT - MIN THICKNESS 2.5 mils
- POSTS:** 76mm x 76mm (3"x3"), .188WALL  
OPTION: 102mm x 102mm (4"x4"), .188WALL
- POST CAPS:** PYRAMID OR BALL
- UPRIGHTS:** 51mm x 51mm (2" x 2") .188 WALL
- RAILS:** 38mm x 64mm (1<sup>1</sup>/<sub>2</sub>" x 2<sup>1</sup>/<sub>2</sub>"), .120 WALL
- PICKETS:** 19mm x 38mm (3/4" x 1<sup>1</sup>/<sub>2</sub>"), .065 WALL  
FLAT TOP c/w UV INSERT, PINCHED ARROW, MAPLE LEAF OR FLEUR DE LIS  
(USE FLAT TOP UNLESS OTHERWISE NOTED)
- WELDS:** ALUMINUM - FULL BEAD ON PUBLIC SIDE  
- TACK WELD ON PRIVATE SIDE
- COLOUR:** STANDARD COLOURS ARE BLACK, SEMI-BLACK BROWN, GREEN, WHITE AND FOREST GREEN  
(CUSTOM COLOURS AVAILABLE UPON REQUEST)

FITTINGS



COMMENTS: SINGLE SWING GATE



TITLE  
**IRON EAGLE II ALUMINUM  
 MAJESTIC EAGLE II SINGLE SWING GATE**

DRAWING No.  
**M-AS1**

CHK'D  
 DATE: JAN 12, 2019