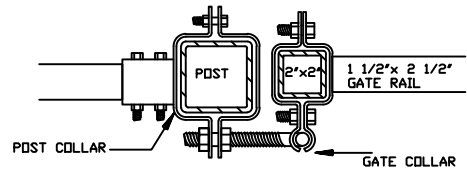


GATE OPENINGS	FROM:	TO:
UP TO 6FT. HIGH	42 $\frac{3}{4}$ " [1086mm]	116 $\frac{1}{4}$ " [2953mm]
7FT. AND HIGHER	42 $\frac{3}{4}$ " [1086mm]	74 $\frac{1}{4}$ " [1886mm]

NOTE: CUSTOM SIZES AVAILABLE UPON REQUEST

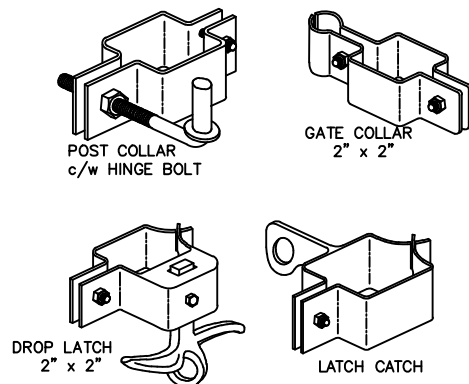
SECTION A-A



SPECIFICATIONS:

- POSTS: GALVALUME™ COLD FORMED STEEL TUBING COATED INTERIOR & EXTERIOR
- RAILS: ZAM™ COATED COLD FORMED TUBING (Zinc, Aluminum, Magnesium) COATED INTERIOR & EXTERIOR
- FINISH: CHROMATE CONVERSION COATING ELECTROSTATICALLY APPLIED THERMALLY BONDED POLYESTER POWDER COATING MINIMUM FILM THICKNESS 2.5 mils
- POSTS: 76mm x 76mm (3"x3") 14GA, SS40 or 250WALL
OPTION: 102mm x 102mm (4"x4") OR 152mm x 152mm (6"x6") AVAILABLE
- POST CAPS: PYRAMID OR BALL
- RAILS: 38mm x 64mm (1 $\frac{1}{2}$ " x 2 $\frac{1}{2}$ ") 16GA
- UPRIGHTS: 51mm x 51mm (2" x 2") 14GA
- PICKETS: 19mm x 38mm ($\frac{3}{4}$ " x 1 $\frac{1}{2}$ ") 16GA PINCHED ARROW, MAPLE LEAF, FLEUR DE LIS OR FLAT TOP c/w UV INSERT (USE ARROW UNLESS OTHERWISE NOTED)
- WELDS: STAINLESS STEEL
- COLOUR: STANDARD COLOURS ARE BLACK, SEMI-BLACK BROWN, GREEN, WHITE AND FOREST GREEN. (CUSTOM COLOURS AVAILABLE UPON REQUEST)

FITTINGS



COMMENTS: SINGLE SWING GATE



TITLE
IRON EAGLE II
IMPERIAL EAGLE II SINGLE SWING GATE

DRAWING No.
I-S1

CHK'D DATE: JAN 12, 2019