

GATE OPENINGS	FROM:	TO:
7FT. AND HIGHER	96½" [2451mm]	153½" [3899mm]

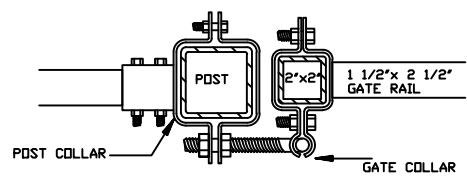
NOTE: CUSTOM SIZES AVAILABLE UPON REQUEST

SPECIFICATIONS:

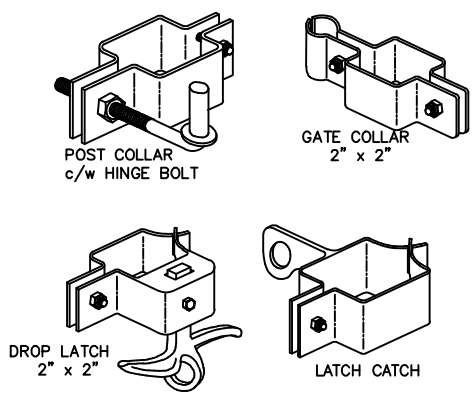
- POSTS RAILS: & PICKETS** EXTRUDED MARINE ALUMINUM 6061-T6
PRIME ALUMINUM, NORTH AMERICAN PRODUCED
- FINISH:** SEVEN STAGE ARCHITECTURALLY CERTIFIED
PRETREATMENT AS PER AAMA 2604.
SUPER DURABLE ELECTROSTATICALLY APPLIED
POWDER COAT - MIN THICKNESS 2.5 MILS
- POSTS:** 76mm x 76mm (3"x3") .188 WALL

OPTION: 102mm x 102mm (4"x4") .188 WALL
- POST CAPS:** PINCHED ARROW OR SECURITY TOP
- UPRIGHTS:** 51mm x 51mm (2" x 2") .188 WALL
- RAILS:** 38mm x 64mm (1½" x 2½") .120 WALL
- PICKETS:** 25mm x 25mm (1" x 1") .065 WALL
PINCHED ARROW OR SECURITY TOP
(USE ARROW UNLESS OTHERWISE NOTED)
- INFILL:** 89mm (¾") DIA. CAST ALUMINUM RINGS
- WELDS:** ALUMINUM - FULL BEAD ON PUBLIC SIDE
- TACK WELD ON PRIVATE SIDE
- COLOURS:** STANDARD COLOURS ARE BLACK, SEMI-BLACK,
BROWN, GREEN, WHITE AND FOREST GREEN.
(CUSTOM COLOURS AVAILABLE UPON REQUEST)

SECTION A-A



FITTINGS



COMMENTS: DOUBLE SWING GATE

	TITLE	IRON EAGLE III ALUMINUM	DRAWING No.
	GOLDEN SECURITY III DOUBLE SWING GATE		GS3-AD2
		C/W PARTIAL RINGS	
		CHK'D	DATE: JAN 12, 2019