

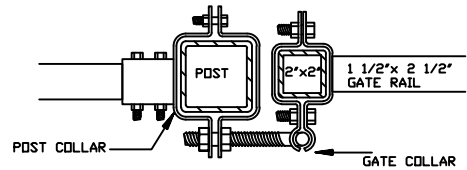
GATE OPENINGS	FROM:	TO:
UP TO 6FT. HIGH	96½" [2451mm]	229½" [5829mm]
7FT. AND HIGHER	96½" [2451mm]	153½" [3899mm]

NOTE: CUSTOM SIZES AVAILABLE UPON REQUEST

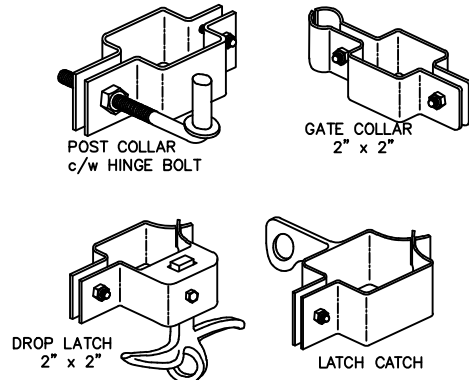
SPECIFICATIONS:

- POSTS:** GALVALUME™ COLD FORMED STEEL TUBING
& PICKETS COATED INTERIOR & EXTERIOR
- RAILS:** ZAM™ COATED COLD FORMED TUBING
(Zinc, Aluminum, Magnesium)
COATED INTERIOR & EXTERIOR
- FINISH:** CHROMATE CONVERSION COATING
ELECTROSTATICALLY APPLIED THERMALLY
BONDED POLYESTER POWDER COATING
MINIMUM FILM THICKNESS 2.5 mils
- POSTS:** 76mm x 76mm (3"x3") 14GA, SS40 or 250WALL
OPTION: 102mm x 102mm (4"x4") OR
152mm x 152mm (6"x6") AVAILABLE
- POST CAPS:** PYRAMID OR BALL
- RAILS:** 38mm x 64mm (1½" x 2½") 16GA
- UPRIGHTS:** 51mm x 51mm (2" x 2") 14GA
- PICKETS:** 25mm x 25mm (1" x 1") 16GA
SPEAR (SP-9Z), FLEUR DE LIS (SP-7Z)
ARROW, FLAT, OR SECURITY TOP
(USE SPEAR SP-9Z UNLESS OTHERWISE NOTED)
- WELDS:** STAINLESS STEEL
- COLOUR:** STANDARD COLOURS ARE BLACK, SEMI-BLACK
BROWN, GREEN, WHITE AND FOREST GREEN.
(CUSTOM COLOURS AVAILABLE UPON REQUEST)

SECTION A-A



FITTINGS



COMMENTS: DOUBLE SWING GATE



TITLE
**IRON EAGLE II
GOLDEN EAGLE III DOUBLE SWING GATE**

DRAWING No.
G3-D1

CHK'D DATE: JAN 12, 2019