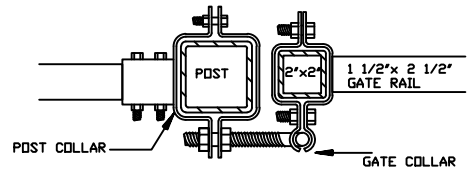


| GATE OPENINGS | FROM: | TO: |
|-----------------|---------------|----------------|
| UP TO 6FT. HIGH | 83½" [2121mm] | 230½" [5855mm] |
| 7FT. AND HIGHER | 83½" [2121mm] | 146½" [3721mm] |

NOTE: CUSTOM SIZES AVAILABLE UPON REQUEST

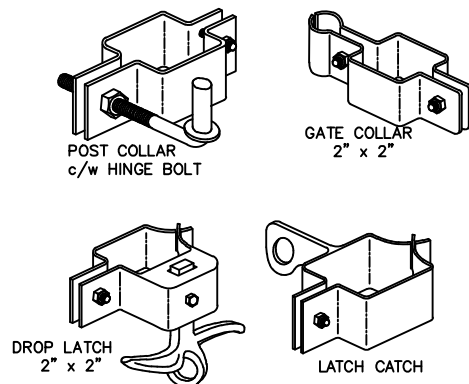
SECTION A-A



SPECIFICATIONS:

- POSTS RAILS & PICKETS:** EXTRUDED MARINE ALUMINUM 6061-T6 PRIME ALUMINUM, NORTH AMERICAN PRODUCED
- FINISH:** SEVEN STAGE ARCHITECTURALLY CERTIFIED PRETREATMENT AS PER AAMA 2604. SUPER DURABLE ELECTROSTATICALLY APPLIED POWDER COAT - MIN THICKNESS 2.5 mils
- POSTS:** 76mm x 76mm (3"x3"), .188WALL
OPTION: 102mm x 102mm (4"x4"), .188WALL
- POST CAPS:** PYRAMID OR BALL
- UPRIGHTS:** 51mm x 51mm (2" x 2") .188 WALL
- RAILS:** 38mm x 64mm (1½" x 2½"), .120 WALL
- PICKETS:** 19mm x 38mm (¾" x 1½"), .065 WALL
FLAT TOP c/w UV INSERT, PINCHED ARROW, MAPLE LEAF OR FLEUR DE LIS
(USE FLAT TOP UNLESS OTHERWISE NOTED)
- WELDS:** ALUMINUM - FULL BEAD ON PUBLIC SIDE
- TACK WELD ON PRIVATE SIDE
- COLOUR:** STANDARD COLOURS ARE BLACK, SEMI-BLACK BROWN, GREEN, WHITE AND FOREST GREEN
(CUSTOM COLOURS AVAILABLE UPON REQUEST)

FITTINGS



COMMENTS: DOUBLE SWING GATE



TITLE

IRON EAGLE II ALUMINUM
GOLDEN EAGLE II DOUBLE SWING GATE

DRAWING No.

G-AD1

CHK'D

DATE: JAN 12, 2019