

GATE OPENINGS	FROM:	TO:
UP TO 6FT. HIGH	87" [2210mm]	220" [5588mm]
7FT. AND HIGHER	87" [2210mm]	144" [3658mm]

NOTE: CUSTOM SIZES AVAILABLE UPON REQUEST

SPECIFICATIONS:

POSTS RAILS: EXTRUDED MARINE ALUMINUM 6061-T6
& PICKETS PRIME ALUMINUM, NORTH AMERICAN PRODUCED

FINISH: SEVEN STAGE ARCHITECTURALLY CERTIFIED
PRETREATMENT AS PER AAMA 2604.
SUPER DURABLE ELECTROSTATICALLY APPLIED
POWDER COAT - MIN THICKNESS 2.5 MILS

POSTS: 76mm x 76mm (3"x3") .188 WALL
OPTION: 102mm x 102mm (4"x4") .188 WALL

POST CAPS: PYRAMID OR BALL

UPRIGHTS: 51mm x 51mm (2" x 2") .188 WALL

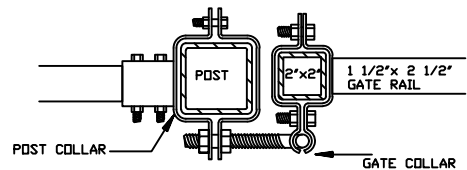
RAILS: 38mm x 64mm (1 1/2" x 2 1/2") .120 WALL

PICKETS: 25mm x 25mm (1" x 1") .065 WALL

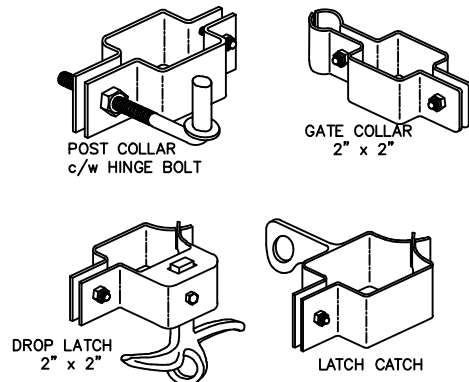
WELDS: ALUMINUM - FULL BEAD ON PUBLIC SIDE
- TACK WELD ON PRIVATE SIDE

COLOURS: STANDARD COLOURS ARE BLACK, SEMI-BLACK,
BROWN, GREEN, WHITE AND FOREST GREEN.
(CUSTOM COLOURS AVAILABLE UPON REQUEST)

SECTION A-A



FITTINGS



COMMENTS: DOUBLE SWING GATE



TITLE

IRON EAGLE III ALUMINUM
CANADIAN EAGLE III DOUBLE SWING GATE

DRAWING No.

C3-AD1

CHK'D

DATE: JAN 12, 2019