

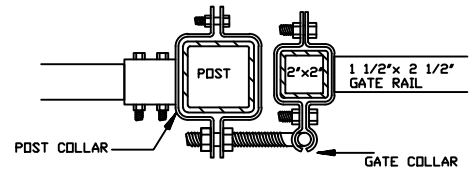
GATE OPENINGS	FROM:	TO:
UP TO 6FT. HIGH	48" [1219mm]	111" [2819mm]
7FT. AND HIGHER	48" [1219mm]	73½" [2019mm]

NOTE: CUSTOM SIZES AVAILABLE UPON REQUEST

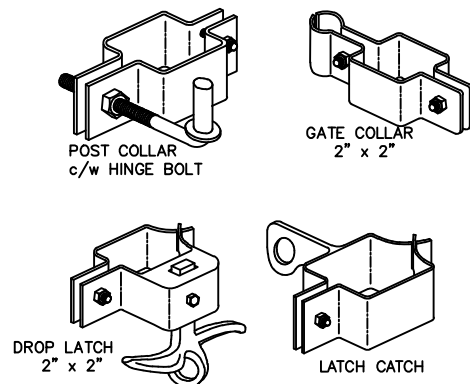
SPECIFICATIONS:

- POSTS:** GALVALUME™ COLD FORMED STEEL TUBING
COATED INTERIOR & EXTERIOR
- RAILS:** ZAM™ COATED COLD FORMED TUBING
(Zinc, Aluminum, Magnesium)
COATED INTERIOR & EXTERIOR
- FINISH:** CHROMATE CONVERSION COATING
ELECTROSTATICALLY APPLIED THERMALLY
BONDED POLYESTER POWDER COATING
MINIMUM FILM THICKNESS 2.5 mils
- POSTS:** 76mm x 76mm (3"x3") 14GA, SS40 or 250WALL
OPTION: 102mm x 102mm (4"x4") OR
152mm x 152mm (6"x6") AVAILABLE
- POST CAPS:** PYRAMID OR BALL
- RAILS:** 38mm x 64mm (1½" x 2½") 16GA
- UPRIGHTS:** 51mm x 51mm (2" x 2") 14GA
- PICKETS:** 19mm x 38mm (¾" x 1½") 16GA
- INFILL:** 89mm (3½") CAST IRON RING
- WELDS:** STAINLESS STEEL
- COLOUR:** STANDARD COLOURS ARE BLACK, SEMI-BLACK
BROWN, GREEN, WHITE AND FOREST GREEN.
(CUSTOM COLOURS AVAILABLE UPON REQUEST)

SECTION A-A



FITTINGS



COMMENTS: SINGLE SWING GATE



TITLE

IRON EAGLE II
CANADIAN EAGLE II SINGLE SWING GATE

DRAWING No.

C-S2

C/W PARTIAL RINGS

CHK'D

DATE: JAN 12, 2019