

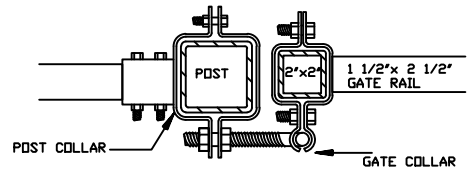
GATE OPENINGS	FROM:	TO:
UP TO 6FT. HIGH	94" [2388mm]	220" [5588mm]
7FT. AND HIGHER	94" [2388mm]	136" [3454mm]

NOTE: CUSTOM SIZES AVAILABLE UPON REQUEST

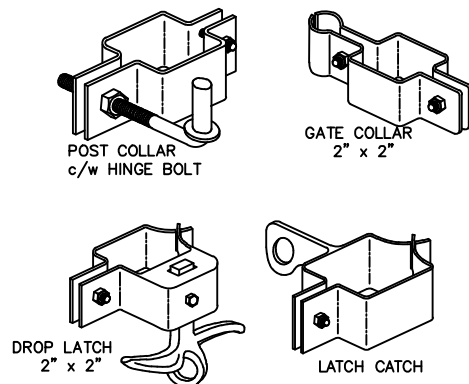
**SPECIFICATIONS:**

- POSTS RAILS & PICKETS:** EXTRUDED MARINE ALUMINUM 6061-T6  
PRIME ALUMINUM, NORTH AMERICAN PRODUCED
- FINISH:** SEVEN STAGE ARCHITECTURALLY CERTIFIED  
PRETREATMENT AS PER AAMA 2604.  
SUPER DURABLE ELECTROSTATICALLY APPLIED  
POWDER COAT - MIN THICKNESS 2.5 mils
- POSTS:** 76mm x 76mm (3"x3"), .188WALL  
OPTION: 102mm x 102mm (4"x4"), .188WALL
- POST CAPS:** PYRAMID OR BALL
- UPRIGHTS:** 51mm x 51mm (2" x 2") .188 WALL
- RAILS:** 38mm x 64mm (1 1/2" x 2 1/2"), .120 WALL
- PICKETS:** 19mm x 38mm (3/4" x 1 1/2"), .065 WALL
- INFILL:** 152mm (6") DIA. CAST ALUMINUM RING
- WELDS:** ALUMINUM - FULL BEAD ON PUBLIC SIDE  
- TACK WELD ON PRIVATE SIDE
- COLOUR:** STANDARD COLOURS ARE BLACK, SEMI-BLACK  
BROWN, GREEN, WHITE AND FOREST GREEN  
(CUSTOM COLOURS AVAILABLE UPON REQUEST)

SECTION A-A



FITTINGS



COMMENTS: DOUBLE SWING GATE



TITLE	IRON EAGLE II ALUMINUM CANADIAN EAGLE II DOUBLE SWING GATE C/W PARTIAL RINGS	DRAWING No. C-AD2
	CHK'D	DATE: JAN 12, 2019