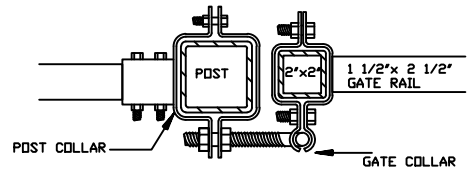


GATE OPENINGS	FROM:	TO:
UP TO 6FT. HIGH	48" [1219mm]	111" [2819mm]
7FT. AND HIGHER	48" [1219mm]	73½" [2019mm]

NOTE: CUSTOM SIZES AVAILABLE UPON REQUEST

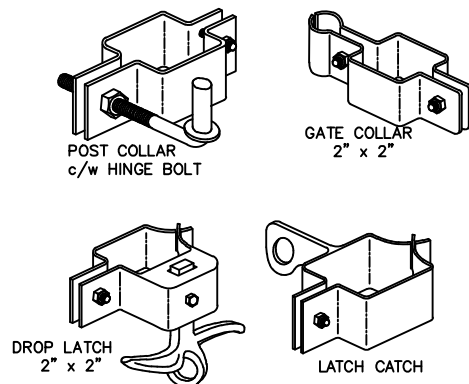
SECTION A-A



SPECIFICATIONS:

- POSTS RAILS:
& PICKETS EXTRUDED MARINE ALUMINUM 6061-T6
PRIME ALUMINUM, NORTH AMERICAN PRODUCED
- FINISH: SEVEN STAGE ARCHITECTURALLY CERTIFIED
PRETREATMENT AS PER AAMA 2604.
SUPER DURABLE ELECTROSTATICALLY APPLIED
POWDER COAT - MIN THICKNESS 2.5 mils
- POSTS: 76mm x 76mm (3"x3"), .188WALL
OPTION: 102mm x 102mm (4"x4"), .188WALL
- POST CAPS: PYRAMID OR BALL
- UPRIGHTS: 51mm x 51mm (2" x 2") .188 WALL
- RAILS: 38mm x 64mm (1½" x 2½"), .120 WALL
- PICKETS: 19mm x 38mm (¾" x 1½"), .065 WALL
- INFILL: 152mm (6") DIA. CAST ALUMINUM RING
- WELDS: ALUMINUM - FULL BEAD ON PUBLIC SIDE
- TACK WELD ON PRIVATE SIDE
- COLOUR: STANDARD COLOURS ARE BLACK, SEMI-BLACK
BROWN, GREEN, WHITE AND FOREST GREEN
(CUSTOM COLOURS AVAILABLE UPON REQUEST)

FITTINGS



COMMENTS: SINGLE SWING GATE



TITLE	IRON EAGLE II ALUMINUM CANADIAN EAGLE II SINGLE SWING GATE C/W FULL RINGS	DRAWING No. C-AS3
	CHK'D	DATE: JAN 12, 2019