

NOTE 1. ARROW TOP



OPTIONS:

MAPLE LEAF



FLEUR DE LIS



FLAT TOP
c/w UV INSERT



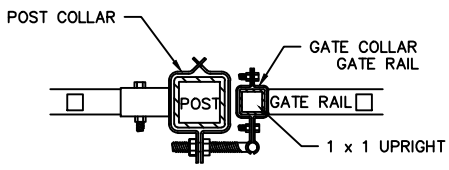
SPECIFICATIONS:

- POSTS:** GALVALUME™ COLD FORMED STEEL TUBING & PICKETS COATED INTERIOR & EXTERIOR
- RAILS:** ZAM™ COATED COLD FORMED TUBING (Zinc, Aluminum, Magnesium) COATED INTERIOR & EXTERIOR
- FINISH:** CHROMATE CONVERSION COATING ELECTROSTATICALLY APPLIED THERMALLY BONDED POLYESTER POWDER COATING MINIMUM FILM THICKNESS 2.5 mils
- POSTS:** 51mm x 51mm (2"x2"), 14 OR 16GA.
- POST CAPS:** PYRAMID, BALL, SPIRE OR ACORN
- RAILS:** 25mm x 25mm (1" x 1"), 14GA.
- UPRIGHTS:** 25mm x 25mm (1" x 1"), 16GA
- PICKETS:** 16mm x 16mm (5/8" x 5/8"), 18GA. PINCHED ARROW, MAPLE LEAF, FLEUR DE LIS OR FLAT TOP c/w UV INSERT (USE ARROW UNLESS OTHERWISE NOTED)
- WELDS:** STAINLESS STEEL
- COLOUR:** STANDARD COLOURS ARE BLACK, SEMI-BLACK BROWN, GREEN, WHITE AND FOREST GREEN (CUSTOM COLOURS AVAILABLE UPON REQUEST)

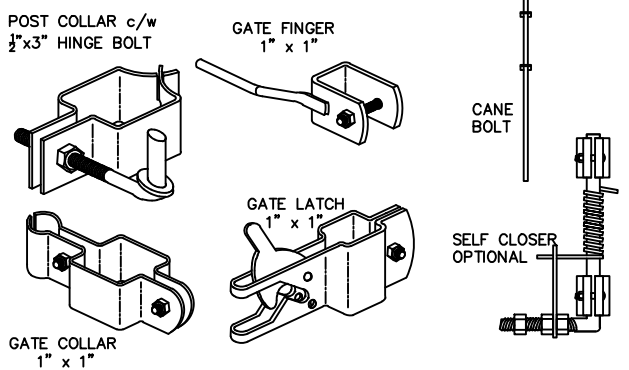
AVAILABLE GATE HEIGHTS:

- 991mm (39")
- 1295mm (51")
- 1600mm (63") SHOWN
- 1905mm (75")

SECTION A-A



FITTINGS



COMMENTS: DOUBLE SWING GATE



TITLE
**IRON EAGLE I
STYLE 2300 DOUBLE SWING GATE**

DRAWING No.
2300-DG

CHK'D DATE: JAN 12, 2018