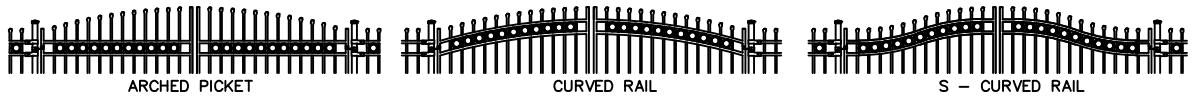


GATE TOP OPTIONS



SPECIFICATIONS:

POSTS: GALVALUME™ COLD FORMED STEEL TUBING & PICKETS COATED INTERIOR & EXTERIOR

RAILS: ZAM™ COATED COLD FORMED TUBING (Zinc, Aluminum, Magnesium) COATED INTERIOR & EXTERIOR

FINISH: CHROMATE CONVERSION COATING ELECTROSTATICALLY APPLIED THERMALLY BONDED POLYESTER POWDER COATING MINIMUM FILM THICKNESS 2.5 mils

POSTS: 51mm x 51mm (2"x2"), 14 OR 16GA.

POST CAPS: PYRAMID, BALL, SPIRE OR ACORN

RAILS: 25mm x 25mm (1" x 1"), 14GA.

UPRIGHTS: 25mm x 25mm (1" x 1"), 16GA

PICKETS: 16mm x 16mm (5/8" x 5/8"), 18GA. PINCHED ARROW, MAPLE LEAF, FLEUR DE LIS OR FLAT TOP c/w UV INSERT (USE ARROW UNLESS OTHERWISE NOTED)

INFILL: 89mm DIA. CAST IRON RING OR DIAMOND (USE RINGS UNLESS OTHERWISE NOTED)

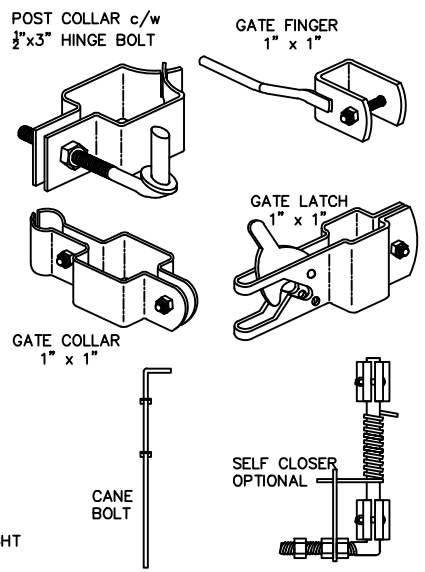
WELDS: STAINLESS STEEL

COLOUR: STANDARD COLOURS ARE BLACK, SEMI-BLACK BROWN, GREEN, WHITE AND FOREST GREEN (CUSTOM COLOURS AVAILABLE UPON REQUEST)

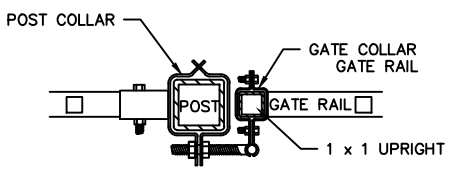
AVAILABLE GATE HEIGHTS:

762mm (30")	SHOWN
914mm (36")	
1067mm (42")	
1219mm (48")	
1524mm (60")	
1829mm (72")	

FITTINGS



SECTION A-A



COMMENTS: DOUBLE SWING GATE



TITLE

# IRON EAGLE I

## STYLE 2180 DOUBLE SWING GATE

DRAWING No.

## 2180-DG

CHK'D DATE: JAN 12, 2018