

SPECIFICATIONS:

POSTS RAILS: NORTH AMERICAN PRODUCED EXTRUDED PRIME MARINE ALUMINUM 6061-T6

FINISH: SEVEN STAGE ARCHITECTURALLY CERTIFIED PRETREATMENT AS PER AAMA 2604. SUPER DURABLE ELECTROSTATICALLY APPLIED POWDER COAT - MIN THICKNESS 2.5 mils

POSTS: 51mm x 51mm (2"x2"), .125WALL STANDARD (.188 WALL AVAILABLE)

POST CAPS: PYRAMID, BALL, SPIRE OR ACORN

RAILS: 25mm x 25mm (1" x 1"), .125WALL (top and bottom) .180WALL (sidewall)

UPRIGHTS: 25mm x 25mm (1" x 1") .065WALL

PICKETS: 16mm x 16mm (5/8" x 5/8"), .080 WALL CAST SPEAR (IE-1) OR FLEUR DE LIS (IE-2) TOPS (USE IE-1 UNLESS OTHERWISE NOTED)

INFILL: 89mm DIA. CAST ALUMINUM RING OR DIAMOND (USE RINGS UNLESS OTHERWISE NOTED)

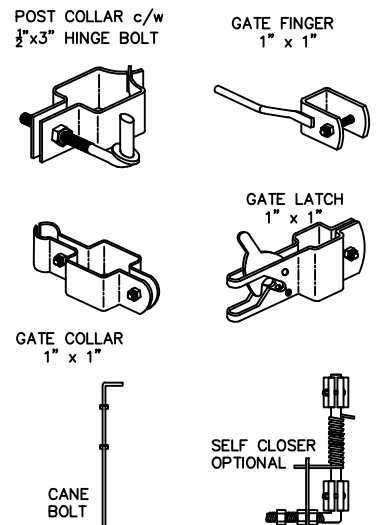
WELDS: ALUMINUM - FULL TACK BOTH SIDES OF PICKET

COLOUR: STANDARD COLOURS ARE BLACK, SEMI-BLACK, BROWN, GREEN WHITE & FOREST GREEN CUSTOM COLOURS AVAILABLE UPON REQUEST

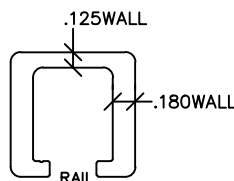
AVAILABLE GATE HEIGHTS:

762mm (30")
 914mm (36")
 1067mm (42")
 1219mm (48")
 1524mm (60") SHOWN
 1829mm (72")

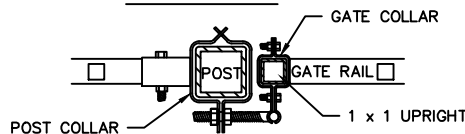
FITTINGS



SECTION B-B



SECTION A-A



COMMENTS: DOUBLE SWING GATE



TITLE

**IRON EAGLE I ALUMINUM SERIES
 STYLE 2170 DOUBLE SWING GATE**

DRAWING No.

A2170-DG

CHK'D

DATE: JAN 12, 2018