

SPECIFICATIONS:

POSTS RAILS: NORTH AMERICAN PRODUCED EXTRUDED
 PICKETS PRIME MARINE ALUMINUM 6061-T6

FINISH: SEVEN STAGE ARCHITECTURALLY CERTIFIED
 PRETREATMENT AS PER AAMA 2604.
 SUPER DURABLE ELECTROSTATICALLY APPLIED
 POWDER COAT - MIN THICKNESS 2.5 MILS

POSTS: 51mm x 51mm (2" x 2"), .125WALL STANDARD
 (.188 WALL AVAILABLE)

POST CAPS: PYRAMID, BALL, SPIRE OR ACORN

RAILS: 25mm x 25mm (1" x 1"),
 .125WALL (top and bottom)
 .180WALL (sidewall)

UPRIGHTS: 25mm x 25mm (1" x 1") .065WALL

PICKETS: 16mm x 16mm (5/8" x 5/8"), .080 WALL
 FLAT TOP c/w UV INSERT, PINCHED ARROW,
 MAPLE LEAF OR FLEUR DE LIS
 (FLAT TOP UNLESS OTHERWISE NOTED)

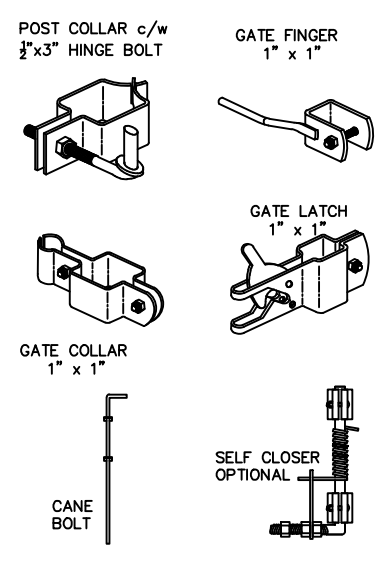
WELDS: ALUMINUM - FULL TACK BOTH SIDES OF PICKET

COLOUR: STANDARD COLOURS ARE BLACK, SEMI-BLACK,
 BROWN, GREEN WHITE & FOREST GREEN
 CUSTOM COLOURS AVAILABLE UPON REQUEST

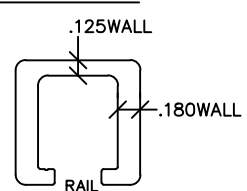
AVAILABLE GATE HEIGHTS:

762mm	(30")	
914mm	(36")	
1067mm	(42")	
1219mm	(48")	
1524mm	(60")	SHOWN
1829mm	(72")	

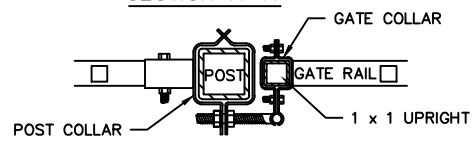
FITTINGS



SECTION B-B



SECTION A-A



COMMENTS: DOUBLE SWING GATE



TITLE

IRON EAGLE I ALUMINUM SERIES STYLE 2145 DOUBLE SWING GATE

DRAWING No.

A2145-DG

CHK'D DATE: JAN 12, 2018