

NOTE 1. ARROW TOP



OPTIONS:

MAPLE LEAF



FLEUR DE LIS



FLAT TOP
c/w UV INSERT



GATE TOP OPTIONS



CURVED RAIL



S - CURVED RAIL

SPECIFICATIONS:

POSTS: GALVALUME™ COLD FORMED STEEL TUBING
& PICKETS COATED INTERIOR & EXTERIOR

RAILS: ZAM™ COATED COLD FORMED TUBING
(Zinc, Aluminum, Magnesium)
COATED INTERIOR & EXTERIOR

FINISH: CHROMATE CONVERSION COATING
ELECTROSTATICALLY APPLIED THERMALLY
BONDED POLYESTER POWDER COATING
MINIMUM FILM THICKNESS 2.5 mils

POSTS: 51mm x 51mm (2"x2"), 14 OR 16GA.

POST CAPS: PYRAMID, BALL, SPIRE OR ACORN

RAILS: 25mm x 25mm (1" x 1"), 14GA.

UPRIGHTS: 25mm x 25mm (1" x 1"), 16GA

PICKETS: 16mm x 16mm (5/8" x 5/8"), 18GA.
PINCHED ARROW, MAPLE LEAF, FLEUR DE LIS
OR FLAT TOP c/w UV INSERT
(USE ARROW UNLESS OTHERWISE NOTED)

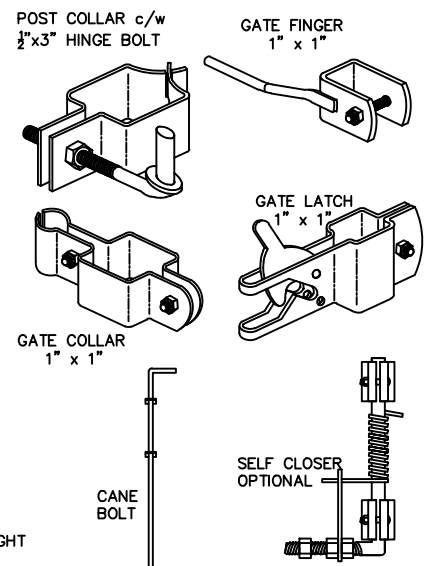
WELDS: STAINLESS STEEL

COLOUR: STANDARD COLOURS ARE BLACK, SEMI-BLACK
BROWN, GREEN, WHITE AND FOREST GREEN
(CUSTOM COLOURS AVAILABLE UPON REQUEST)

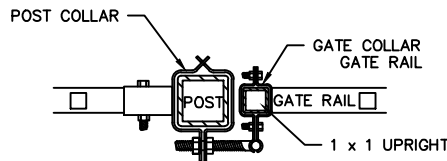
AVAILABLE GATE HEIGHTS:

762mm (30")	
914mm (36")	
1067mm (42")	
1219mm (48")	
1524mm (60")	SHOWN
1829mm (72")	

FITTINGS



SECTION A-A



COMMENTS: DOUBLE SWING GATE



TITLE	IRON EAGLE I STYLE 2140 DOUBLE SWING GATE	DRAWING No. 2140-DG
CHK'D		DATE: JAN 12, 2018